



# Total sheet metal working.

There is barely any field of application for which FEIN power cutting tools do not offer the perfect solution. They cut through metal, metal alloys, non-ferrous metals and thermoplastics of various thickness and degrees of hardness, corrugated metal and trapezium materials as well as steel plates or hard-bonded PU compounds.

The FEIN sheet metal shears are used in the fields of air-conditioning construction, insulation works and in sheet metal processing industries to trim sheet metals. Their impressive performance is best demonstrated through their high cutting rates.

Selecting the right nibbler for a particular field of application is just as easy as choosing the right sheet metal shear. The FEIN nibbler is the tool of choice for tasks entailing particularly difficult, precise cuts.

- 
- **Sheet metal shears** **P. 206**
  - **Nibblers** **P. 213**
- 



The universal sheet metal shears UBS 2.0 for clean, zero-distortion cut-outs.



BLK 1.6 - Flexible in all Directions: Job-alignment without tools, adjustable in 45° steps up to 360°.



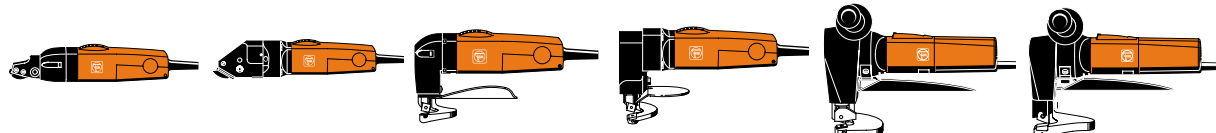
FEIN nibbler for distortion-free cutting through flat and curved sheet metals.

FEIN electric power tools for sheet metal working - the right solution for every sheet metal.



# Sheet Metal Working.

## Sheet metal shears



Type	UBS 1.6 / 1.6 C	UBS 2.0	BLS 1.6 X	BLS 2.5	BLS 3.5	BLS 4.2
<b>Material</b>						
Max. material thckn. mm	1,6 1,2 0,8	2,0 1,5 1,3	1,6 1,2 1,0	2,5 2,0 1,6	3,5 3,0 2,0	4,2 2,8 2,0
Capacity steel N/mm <sup>2</sup>	400 / 600 / 800	400 / 600 / 800	400 / 600 / 800	400 / 600 / 800	400 / 600 / 800	400 / 600 / 800
Cutting width mm	5	5				
Min. cutting radius						
inside/outside mm	30 - 40	245	15	20-30	30	25-50

## Single rolled sheet

flat to slightly bent



cutting off straight	● ●	● ●	● ●	● ●	● ●	● ●
trimming	● ●	○	● ●	● ●	● ●	● ●
cutting off curved cuts	● ●	○	●	●	○	○
cutting off straight	● ●	● ●	-	-	-	-
cutting off curved cuts	●	○	-	-	-	-

Dry-wall profiles

	● ●	● ●	-	-	-	-
--	-----	-----	---	---	---	---

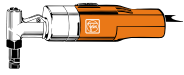
Folded spiral-seam tube

	○	● ●	-	-	-	-
--	---	-----	---	---	---	---

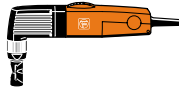
Ventilating ducts

	●	● ●	-	-	-	-
--	---	-----	---	---	---	---

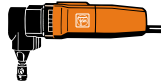
- ● very suitable
- suitable
- suitable under certain conditions
- not suitable



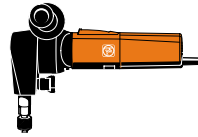
RSs 636-2 / -4



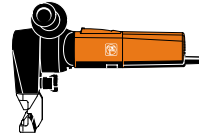
BLK 1.6



RSs 638-5



BLK 3.5



BLK 5.0

## Nibblers

Type

### Material

mm Max. material thickn.

N/mm<sup>2</sup> Capacity steel

mm Cutting width

Min. cutting radius

mm inside/outside

1,3 0,8

1,6 1,0 0,7

2,0 1,5 1,0

3,5 2,3 1,8

5,0 3,3 2,5

400 / 600

400 / 600 / 800

400 / 600 / 800

400 / 600 / 800

400 / 600 / 800

5

5

8

14

8

15/20 / 25/30

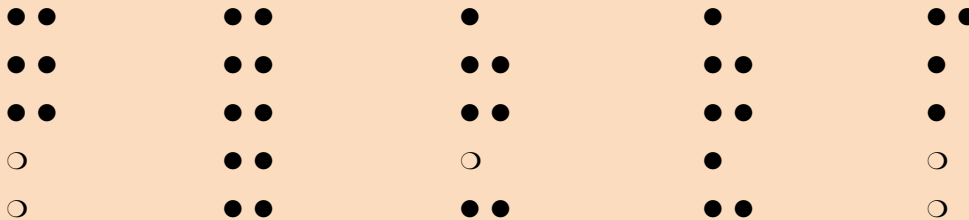
30/35

4/0

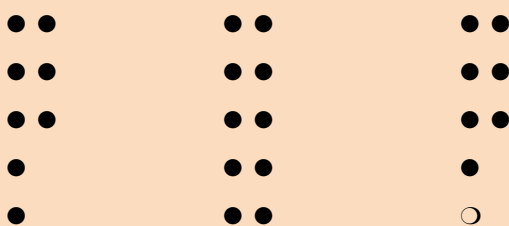
7/0

86/94

## Single rolled sheet



## Corrugated sheets

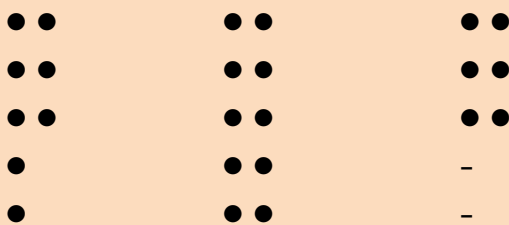
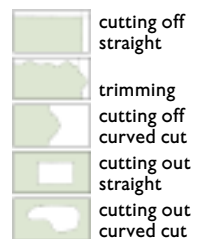


RSs 636-4  
up to 85 mm

up to 85/ 160 mm\*

## Trapez. sheet metal

Bead depth



\* with profile set 160 (Accessories)



UBS 1.6 C



Quick IN

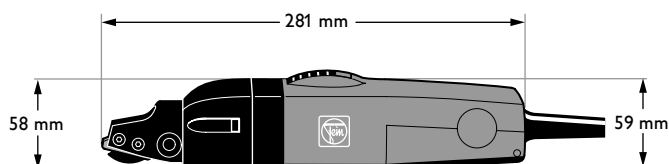
## Universal sheet metal shear up to 1,6 mm

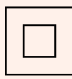
**UBS 1.6** FEIN HIGH-POWER MOTOR      **UBS 1.6 C** FEIN HIGH-POWER MOTOR

Order Reference		7 230 27	7 230 28
Type		UBS 1.6	UBS 1.6 C
Input	W	350	350
Output	W	210	210
Strokes	R.P.M.	3800	3800
Cutting speed	m/min	6-10	6-10
Cable with plug	m	5	5
Net weight	kg	1,4	1,4
Max. cutting capacity			
Steel up to 400 N/mm <sup>2</sup>	mm	1,6	1,2
Steel up to 600 N/mm <sup>2</sup>	mm	1,2	1,2
Steel up to 800 N/mm <sup>2</sup>	mm	0,8	0,8
Alu up to 250 N/mm <sup>2</sup>	mm	2	2
Cutting width	mm	5	5
Rad. of smallest curve	mm	90 (30) <sup>1)</sup>	90 (30) <sup>1)</sup>
Immersion Ø	mm	15 (8) <sup>1)</sup>	15 (8) <sup>1)</sup>

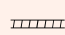
**Price includes:**


1 Knife, straight, up to 1.6 mm, 1 pair of cutting bars, 1 key








---

 1,6 mm

 3800

---

 350 W

 1,4 kg

### AT A GLANCE

Easy-to-use and curve-compatible sheet metal shears.

- "Chipless" distortion-free cuts in sheet metals.
- Open-fronted cutting head: provides an optimum view of the cutting line.
- QuickIN for rapid toolfree blade changing, with no further adjustment required.
- A range of blades, ideally suited to different cutting tasks, with impressive service lives.
- Excellent ergonomics and low weight.

for UBS 1.6 C :

- With the integrated chipcutter the chip can be cut off at any point.

<sup>1)</sup> with blade for curves



## ■ Universal sheet metal shear up to 2 mm

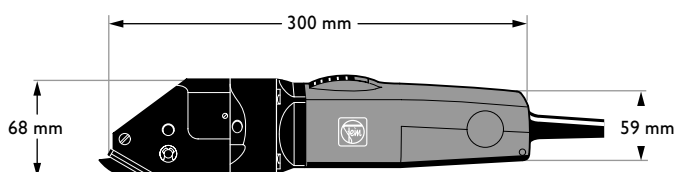
### UBS 2.0 FEIN HIGH-POWER MOTOR

<b>Order Reference</b>		<b>7 230 22</b>
<b>Type</b>		<b>UBS 2.0</b>
Input	W	350
Output	W	210
Strokes	R.P.M.	2200
Cutting speed	m/min	2-4
Net weight	kg	1,7

<b>Max. cutting capacity</b>		
Steel up to 400 N/mm <sup>2</sup>	mm	2
Steel up to 600 N/mm <sup>2</sup>	mm	1,5
Steel up to 800 N/mm <sup>2</sup>	mm	1,3
Alu up to 250 N/mm <sup>2</sup>	mm	3
Cutting width	mm	5
Rad. of smallest curve	mm	245
Immersion Ø	mm	12

#### Price includes:

1 cutter blade, 1 pair of cutting bars



2 mm

2200

350 W

1,7 kg

## AT A GLANCE

Universal sheet metal shears for comfortable cutting without material distortion.

- HIGH-POWER-MOTOR for unmatched performance and durability.
- Ideally suited for trimming and cutting sheet metal material sections up to 2 mm thick.
- For use in all places where swarf needs to be avoided.
- Suitable for folded spiral-seam tubes with connecting folds up to 4 x 0.75 mm.
- Ideal for trimming profiled sections.
- Clean swarf removal prevents injuries or scratches on workpieces.
- Vice clamping makes stationary application possible.

Accessories on page 212.



## Sheet Metal Shear, up to 1,6 mm

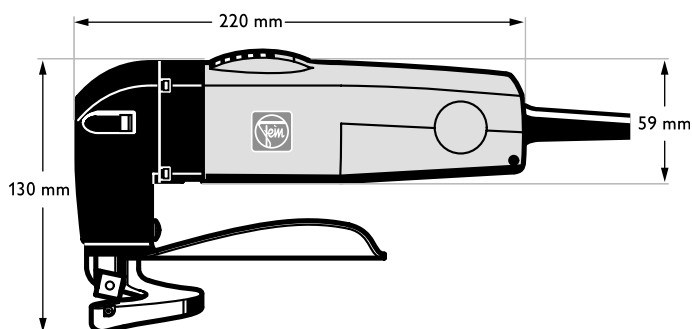
**BLS 1.6 X**  
**FEIN HIGH-POWER MOTOR**

<b>Order Reference</b>		<b>7 230 29</b>
<b>Type</b>		<b>BLS 1.6 X</b>
Input	W	350
Output	W	210
Strokes	R.P.M.	4000
Cutting speed	m/min	5-8
Net weight	kg	1,6

Max. cutting capacity		
Steel up to 400 N/mm <sup>2</sup>	mm	1,6
Steel up to 600 N/mm <sup>2</sup>	mm	1,2
Steel up to 800 N/mm <sup>2</sup>	mm	1
Alu up to 250 N/mm <sup>2</sup>	mm	2
Rad. of smallest curve	mm	15

**Price includes:**

1 pair of blades, 1 set of wrenches, 1 hand guard



---

1,6 mm

4000

---

350 W

1,6 kg

### AT A GLANCE

Easy-to-use and curve-compatible sheet metal shear.

- HIGH-POWER-MOTOR for unmatched performance and durability.
- Comfortable and fast when trimming and cutting to shape.
- For sheet metals up to 800 N/mm<sup>2</sup> and stainless steels.
- Four-fold reversing blade: cleaner and burr-free cutting with low operating costs.
- Excellent ergonomics and unrestricted view of the cutting line.
- Good curve precision with low sheet-metal distortion.



## Sheet Metal Shear up to 2,5 mm

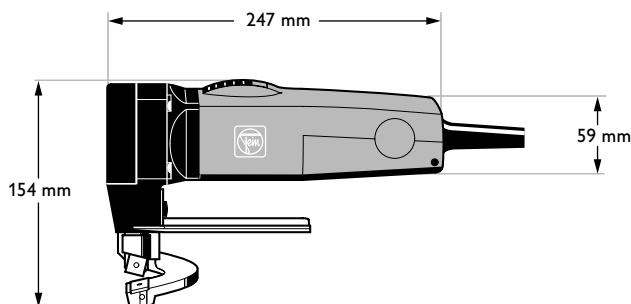
**BLS 2.5**  
**FEIN HIGH-POWER MOTOR**

<b>Order Reference</b>		<b>7 230 26</b>
<b>Type</b>		<b>BLS 2.5</b>
Input	W	350
Output	W	210
Strokes	R.P.M.	1500
Cutting speed	m/min	3-6
Net weight	kg	2,1

Max. cutting capacity		
Steel up to 400 N/mm <sup>2</sup>	mm	2,5
Steel up to 600 N/mm <sup>2</sup>	mm	2
Steel up to 800 N/mm <sup>2</sup>	mm	1,6
Alu up to 250 N/mm <sup>2</sup>	mm	3
Rad. of smallest curve	mm	20

**Price includes:**

1 pair of blades, 1 set of wrenches, 1 hand guard



2,5 mm

4000

350 W

2,1 kg

### AT A GLANCE

Easy-to-use and curve-compatible sheet metal shear.

- HIGH-POWER-MOTOR for unmatched performance and durability.
- Comfortable and fast when trimming and cutting to shape.
- For sheet metals up to 800 N/mm<sup>2</sup> and stainless steels.
- Four-fold reversing blade: cleaner and burr-free cutting with low operating costs.
- Excellent ergonomics and unrestricted view of the cutting line.
- Good curve precision with low sheet-metal distortion.







## Sheet Metal Shear up to 3,5 mm

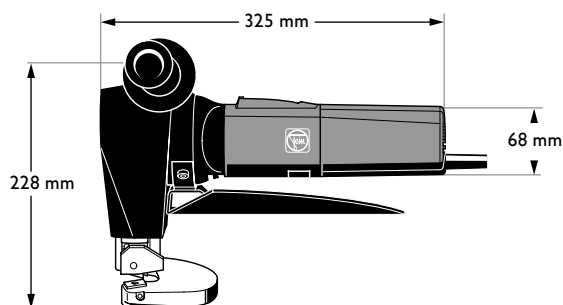
**BLS 3.5**  
**FEIN HIGH-POWER MOTOR**

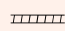

<b>Order Reference</b>		<b>7 230 23</b>
<b>Type</b>		<b>BLS 3.5</b>
Input	W	1200
Output	W	750
Strokes	R.P.M.	1500
Cutting speed	m/min	4-5
Cable with plug	m	5
Net weight	kg	5,4

Max. cutting capacity		
Steel up to 400 N/mm <sup>2</sup>	mm	3,5
Steel up to 600 N/mm <sup>2</sup>	mm	3
Steel up to 800 N/mm <sup>2</sup>	mm	2
Alu up to 250 N/mm <sup>2</sup>	mm	4
Rad. of smallest curve	mm	30

**Price includes:**

1 pair of blades, 1 hand guard, 1 additional handle, 1 set of wrenches



 3,5 mm	 1500
 1200 W	 5,4 kg

### AT A GLANCE

Powerful sheet metal shear.

- HIGH-POWER-MOTOR for unmatched performance and durability.
- Comfortable and fast when trimming and cutting to shape.
- For sheet metals up to 800 N/mm<sup>2</sup> and stainless steels.
- Adjustable blade clearance ensures that the tool is configured for the work piece.
- Patented swarf suppresser for optimum and safe swarf removal.
- Two-fold reversing blade: low tool costs and simple blade changing.
- Excellent ergonomics and unrestricted view of the cutting line.



## Sheet Metal Shear up to 4.2 mm

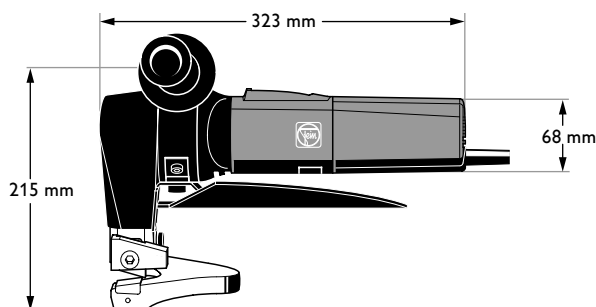
**BLS 4.2**  
**FEIN HIGH-POWER MOTOR**

<b>Order Reference</b>	<b>7 230 24</b>	
<b>Type</b>	<b>BLS 4.2</b>	
Input	W	1200
Output	W	750
Strokes	R.P.M.	750
Cutting speed	m/min	4-5
Net weight	kg	5,2

Max. cutting capacity		
Steel up to 400 N/mm <sup>2</sup>	mm	4,2
Steel up to 600 N/mm <sup>2</sup>	mm	3,0
Steel up to 800 N/mm <sup>2</sup>	mm	2
Alu up to 250 N/mm <sup>2</sup>	mm	5
Rad. of smallest curve	mm	25

**Price includes:**

1 pair of blades, 1 hand guard, 1 additional handle, 1 gage, 3 wrenches



4,2 mm

750

1200 W

5,2 kg

### AT A GLANCE

Powerful sheet metal shear.

- HIGH-POWER-MOTOR for unmatched performance and durability.
- Comfortable and fast when trimming and cutting to shape.
- For sheet metals up to 800 N/mm<sup>2</sup> and stainless steels.
- Patented swarf suppresser for optimum and safe swarf removal.
- Two-fold reversing blade: low tool costs and simple blade changing.
- Excellent ergonomics and unrestricted view of the cutting line.



**for UBS 1.6,  
UBS 1.6 C****Cutting blade**

straight up to 1,0 mm

**Order Reference** 3 13 08 149 00 7

straight 1.0-1.6 mm

**Order Reference** 3 13 08 150 00 9**Blade for curves**

up to 1.0 mm

**Order Reference** 3 13 08 151 00 8**Blade CR**

for stainless steel

**Order Reference** 3 13 08 152 00 1**Parallel stop****Order Reference** 3 13 08 166 00 9**Cutting bars**

for UBS 1.6 (1 Set)

**Order Reference** 3 13 08 153 01 4

for UBS 1.6 C (1 Set)

**Order Reference** 3 13 08 153 02 0**for UBS 2.0****Parallel stop**

Length 250 mm for strip cuts

**Order Reference** 3 13 08 121 00 1**Support roll**

For convenient working with longer cuts

**Order Reference** 3 13 08 122 00 4**Blade****Order Reference** 3 13 08 110 00 3

specially suitable for stainless steel

**Order Reference** 3 13 08 123 00 8**Cutting bars**

Pack of 2

**Order Reference** 3 13 08 113 00 9**Blade pin****Order Reference** 3 13 08 111 00 2**for BLS 1.6 X****Plunger blade and fixed blade**

for steel sheet up to 800 N/mm

**Order Reference** 3 13 08 072 00 0**for BLS 2.5****Plunger blade and fixed blade**

for steel sheet up to 800 N/mm

**Order Reference** 6 36 01 101 00 9**for BLS 3.5****Plunger blade**for steel sheet up to 400 N/mm<sup>2</sup>**Order Reference** 3 13 08 136 00 2for nickel chromium steel sheet up to 800 N/mm<sup>2</sup>**Order Reference** 3 13 08 143 00 6**Plunger blade**for steel sheet up to 400 N/mm<sup>2</sup>**Order Reference** 3 13 08 146 00 1for nickel chromium steel sheet up to 800 N/mm<sup>2</sup>**Order Reference** 3 13 08 147 00 5**Eyelet****Order Reference** 3 13 08 100 01 3**for BLS 4.2****Plunger blade****Order Reference** 3 13 08 092 00 8**Plunger blade**for steel sheet up to 400 N/mm<sup>2</sup>

Plate thickness mm	Order Reference
4,2	3 13 08 096 00 7
3,0	3 13 08 097 00 1

for nickel chromium steel sheet up to 800 N/mm<sup>2</sup>

Plate thickness mm	Order Reference
2	3 13 08 098 00 9

**Eyelet****Order Reference** 3 13 08 100 01 3**General accessory****Carrying case**metal  
390 x 240 x 110 mm**Order Reference** 3 39 01 067 01 3metal  
390 x 210 x 140 mm**Order Reference** 3 39 01 045 01 8**Cutting paste**

Lubricating agents for working sheet metals

**Order Reference** 3 21 32 020 12 9

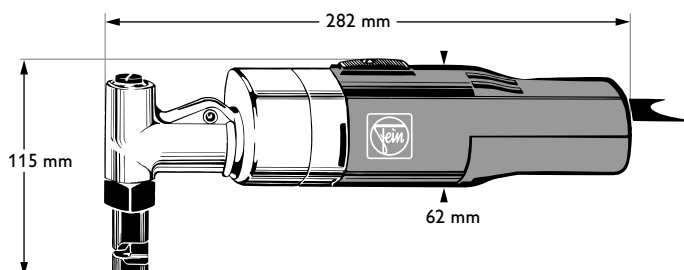


## Nibbler up to 1,3 mm

RSs 636-2

<b>Order Reference</b>		<b>7 232 03</b>
<b>Type</b>		<b>RSs 636-2</b>
Input	W	280
Output	W	150
Cutting speed	m/min	1,7
Strokes	R.P.M.	1800
Cable with plug	m	2,5
Net weight	kg	1,6

<b>Max. cutting capacity</b>		
Steel up to 400 N/mm <sup>2</sup>	mm	1,3
Steel up to 600 N/mm <sup>2</sup>	mm	0,8
Alu up to 250 N/mm <sup>2</sup>	mm	2
Plastics dep. on Quality	mm	2,3
Immersion Ø with die	mm	18,5
Cutting width	mm	5
Rad. of smallest curve (inside/outside)	mm	15/20



1,3 mm

1800

280 W

1,6 kg

### AT A GLANCE

Lightweight nibbler for single-roll and corrugated sheet-metal.

- High cutting speed and excellent curve-running performance.
- Simple tool changing without requiring re-adjustment.
- Compact dimensions.
- Die and punch with long service life.

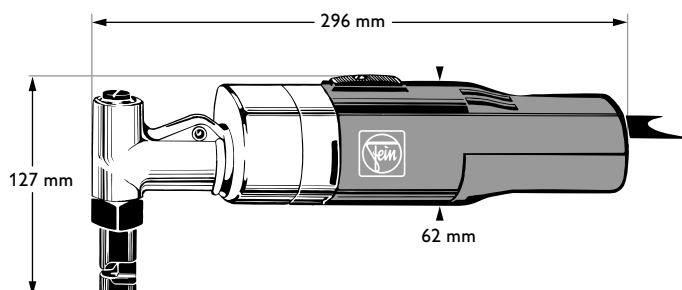


## Nibbler up to 1,3 mm

RSs 636-4

<b>Order Reference</b>		<b>7 232 14</b>
<b>Type</b>		<b>RSs 636-4</b>
Input	W	280
Output	W	150
Cutting speed	m/min	1,3
Strokes	R.P.M.	1150
Cable with plug	m	2,5
Net weight	kg	1,6

<b>Max. cutting capacity</b>		
Steel up to 400 N/mm <sup>2</sup>	mm	1,3
Steel up to 600 N/mm <sup>2</sup>	mm	0,8
Alu up to 250 N/mm <sup>2</sup>	mm	2
Immersion Ø with die	mm	19
Cutting width	mm	5
Rad. of smallest curve (inside/outside)	mm	25/30



1,3 mm  $\frac{x}{min}$  1150

280 W 1,6 kg

### AT A GLANCE

Lightweight nibbler for single-roll, corrugated and trapezium sheet metals.

- Ideally suited for all trapezium sheet materials up to 85 mm deep.
- Excellent curve cutting characteristics.
- Simple tool changing without requiring re-adjustment.
- Compact dimensions.
- Die and punch with long service life.



## Nibbler up to 1.6 mm

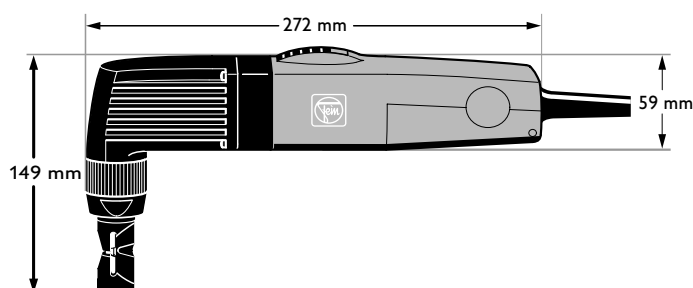
### BLK 1.6 FEIN HIGH-POWER MOTOR

<b>Order Reference</b>		<b>7 232 32</b>
<b>Type</b>		<b>BLK 1.6</b>
Input	W	350
Output	W	210
Cutting speed	m/min	1,9
Strokes	R.P.M.	1500
Cable with plug	m	5
Net weight	kg	1,8

<b>Max. cutting capacity</b>		
Steel up to 400 N/mm <sup>2</sup>	mm	1,6
Steel up to 600 N/mm <sup>2</sup>	mm	1,0
Steel up to 800 N/mm <sup>2</sup>	mm	0,7
Stainless steel (V2A)	mm	0,8
Alu up to 250 N/mm <sup>2</sup>	mm	2,5
Immersion Ø with die	mm	22
Cutting width	mm	5
Rad. of smallest curve (inside/outside)	mm	30/35

#### Price includes:

1 wrench, 1 die, 1 die holder for sheet metal and corrugated sheet metal, 1 key



1,6 mm 1500

350 W 1,8 kg

## AT A GLANCE

Flexible nibbler for thin sheet metals, trapezoidal sheet metals, corrugated sheet metals and profiles.

- HIGH-POWER-MOTOR for unmatched performance and durability.
- Unique nibbler for sheet metal up to 1,6 mm.
- Ideally suited for all trapezium sheet materials up to 85 mm deep.
- Profile set for all deep-channel sheet metals.
- Very low operating costs by die and punch with long service life.
- Optimum ease of use, excellent manoeuvrability and curve-going.
- High cutting speed for rapid work.
- Toolfree adjustment of the working direction in steps of 45°.
- Simple tool changing without requiring re-adjustment.
- Also overlay areas can be cut.

Accessories on page 217.



## ■ Nibbler up to 2 mm

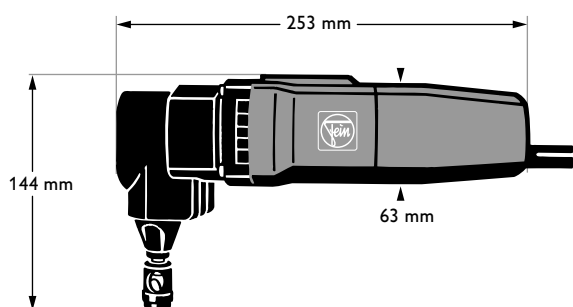
RSs 638-5

<b>Order Reference</b>	<b>7 232 26</b>	
<b>Type</b>	<b>RSs 638-5</b>	
Input	W	350
Output	W	200
Cutting speed	m/min	1
Strokes	R.P.M.	1050
Cable with plug	m	2,5
Net weight	kg	1,9

Max. cutting capacity		
Steel up to 400 N/mm <sup>2</sup>	mm	2
Steel up to 600 N/mm <sup>2</sup>	mm	1,5
Steel up to 800 N/mm <sup>2</sup>	mm	1
Alu up to 250 N/mm <sup>2</sup>	mm	2,5
Plastics dep. on Quality	mm	2,5
Immersion Ø with die	mm	18
Cutting width	mm	8
Rad. of smallest curve (inside/outside)	mm	4/0

**Price includes:**

1 key



2 mm  1050

 350 W  1,9 kg

### AT A GLANCE

Compact round-die nibbler, also suited for scrole and corner cutting.

- Bites rapidly and powerfully through all sheet metals up to 2.0 mm thick.
- Round die for changing cutting direction on the spot.
- Comfortable and fast when trimming and cutting to shape.
- Small plunge diameter, ideal for cut-outs.
- Light and comfortable when working in any position.
- Also suitable for template cuts and notching.

**for RSs 636-2**

**Die**

**Order Reference** 3 01 09 011 00 7

**Blade**

**Order Reference** 6 36 02 001 00 4

**for RSs 636-4**

**Die**

**Order Reference** 3 01 09 106 00 9

**Blade**

**Order Reference** 6 36 02 046 00 2

**for BLK 1.6**

**Punches and dies**

in set, each consisting of 1 die 6 36 02 048 004 and 1 punch 3 01 09 141 003.



**Order Reference** 6 36 02 048 01 3

**Punch**

**Order Reference** 6 36 02 048 00 4

**Die**

**Order Reference** 3 01 09 141 00 3

**Die holder**

for trapezoidal sheet metal and corrugated sheet metal



**Order Reference** 3 01 09 154 00 7

for single rolled sheet and corrugated sheet metal

**Order Reference** 3 01 09 151 00 2

**Profile set 160**

For deep-channel trapezoidal sheet metals (85-160 mm), incl. lower die, lower die holder and upper die.



**Order Reference** 9 26 02 071 01 9

**Punches and dies**

in the set, for profile set 160, including wear plate, screws and key

**Order Reference** 6 36 02 049 01 7

**Punch**

to profile set 160



**Order Reference** 6 36 02 049 00 8

**Die**

to profile set 160



**Order Reference** 3 13 09 122 00 5

**Wearing plate**

to profile set 160



**Order Reference** 3 13 09 121 00 2

**for RSs 638-5**

**Die**

**Order Reference** 3 13 09 040 00 2

**Punch**

**Order Reference** 3 13 09 036 00 4

**Supporting pin**

**Order Reference** 3 13 09 039 00 0

**General accessory**

**Carrying case**

metal  
390 x 240 x 110 mm



**Order Reference** 3 39 01 067 01 3

**Cutting paste**

Lubricating agents for working sheet metals

**Order Reference** 3 21 32 020 12 9







**Quick IN**

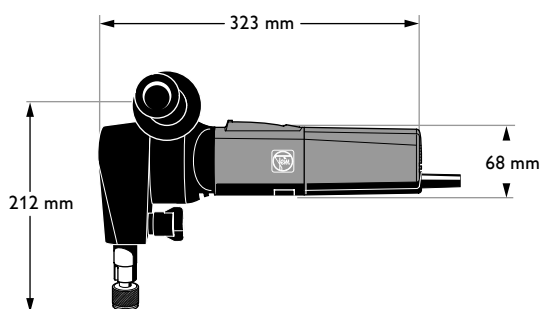
## ■ Nibbler up to 3,5 mm

**BLK 3.5**  
FEIN HIGH-POWER MOTOR, QuickIN

<b>Order Reference</b>		<b>7 232 30</b>
<b>Type</b>		<b>BLK 3.5</b>
Input	W	1200
Output	W	750
Cutting speed	m/min	1,3
Strokes	R.P.M.	750
Cable with plug	m	5
Net weight	kg	3,6

Max. cutting capacity		
Steel up to 400 N/mm <sup>2</sup>	mm	3,5
Steel up to 600 N/mm <sup>2</sup>	mm	2,3
Steel up to 800 N/mm <sup>2</sup>	mm	1,8
Alu up to 250 N/mm <sup>2</sup>	mm	3,5
Immersion Ø	mm	30
Cutting width	mm	14
Rad. of smallest curve (inside/outside)	mm	7/0

**Price includes:**  
1 key, 1 additional handle



---

3,5 mm

750

---

1200 W

3,6 kg

### AT A GLANCE

Round die nibbler for unlimited curve configuration.

- HIGH-POWER-MOTOR for unmatched performance and durability.
- Cuts rapidly and powerfully through sheet metal up to 3.5 mm thick.
- Round die for changing cutting direction on the spot.
- Also suitable for template cuts and notching.
- Small plunge diameter, ideal for cut-outs.
- QuickIN rapid change system for fast, keyless tool changes.
- Die and punch with long service life.



## Nibbler up to 5 mm

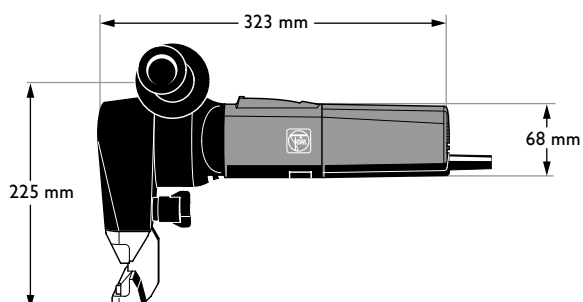
### BLK 5.0 FEIN HIGH-POWER MOTOR

<b>Order Reference</b>		<b>7 232 31</b>
<b>Type</b>		<b>BLK 5.0</b>
Input	W	1200
Output	W	750
Cutting speed	m/min	1,3
Strokes	R.P.M.	750
Cable with plug	m	5
Net weight	kg	3,8

Max. cutting capacity		
Steel up to 400 N/mm <sup>2</sup>	mm	5
Steel up to 600 N/mm <sup>2</sup>	mm	3,3
Steel up to 800 N/mm <sup>2</sup>	mm	2,5
Alu up to 250 N/mm <sup>2</sup>	mm	7
Plastics	mm	2,5
Immersion Ø	mm	43
Cutting width	mm	8
Rad. of smallest curve (inside/outside)	mm	86/94

#### Price includes:

1 additional handle, 1 set of wrenches



5 mm

750

1200 W

3,8 kg

## AT A GLANCE

Powerful nibbler for heavy cutting applications.

- HIGH-POWER-MOTOR for unmatched performance and durability.
- Unique ergonomics and unobstructed view of the cut.
- Cutting head can be rotated 2 x 90° in order to comply with the working direction.
- Die and punch with long service life.

**for BLK 3.5****Punch**for steel sheet up to 400 N/mm<sup>2</sup>**Order Reference** 3 13 09 097 00 2for nickel chromium steel sheet up to 800 N/mm<sup>2</sup>**Order Reference** 3 13 09 098 00 0**Die**for steel sheet up to 400 N/mm<sup>2</sup>**Order Reference** 3 13 09 093 00 3for nickel chromium steel sheet up to 800 N/mm<sup>2</sup>**Order Reference** 3 13 09 094 00 1**Chips bag****Order Reference** 3 13 09 099 00 4**Circle and rip guide**

for circular cut-outs up to Ø 760 mm and parallel strips up to 370 mm

**Order Reference** 3 13 09 077 02 9**for BLK 5.0****Punch set**up to 5.0 mm steel plate (400 N/mm<sup>2</sup>), consisting of:  
1 die 3 13 09 110 00 4 and 1 punch 3 13 09 107 00 0**Order Reference** 3 13 09 110 01 3up to 3.0 mm stainless steel plate (600 N/mm<sup>2</sup>), consisting of:  
1 die 3 13 09 134 00 6 and  
1 punch 3 13 09 108 00 8**Order Reference** 3 13 09 134 01 5up to 7.0 mm aluminium plate (250 N/mm<sup>2</sup>), consisting of:  
1 die 3 13 09 110 00 4 and  
1 stamp 3 13 09 109 00 2**Order Reference** 3 13 09 110 02 9**Chips bag****Order Reference** 3 13 09 114 00 8**Circle and rip guide**

for circular cut-outs Ø 180-750 mm and parallel strips up to 370 mm wide.

**Order Reference** 3 13 09 077 03 5**General accessory****Suspension eyelet**

for use with balancers

**Order Reference** 3 13 09 102 01 6**Balancer**

Detailed information on the FEIN Balancers can be found in the chapter Accessories / Balancer.

**Cutting paste**

Lubricating agents for working sheet metals

**Order Reference** 3 21 32 020 12 9**Carrying case**metal  
390 x 210 x 140 mm**Order Reference** 3 39 01 045 01 8

